

KONICA MINOLTA

AccurioLabel 230

**YOU WANT
PROFITABLE LABEL
PRODUCTION IN
SMALL BATCHES.
RETHINK LABEL PRINTING**



Giving Shape to Ideas

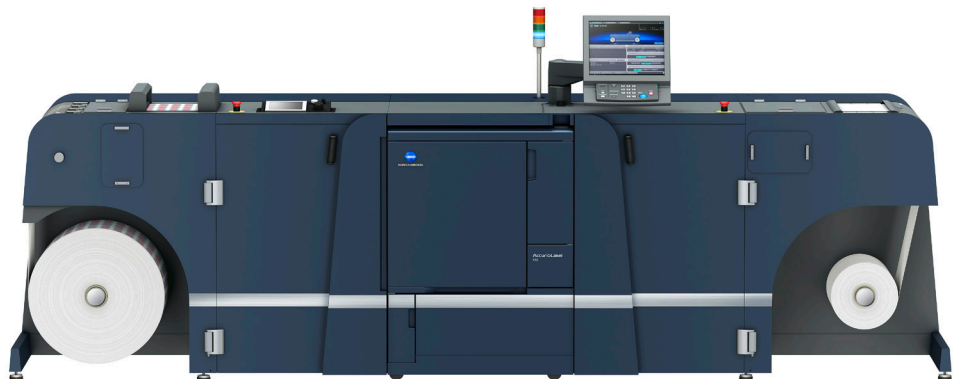
OUTSTANDING PRODUCTIVITY & BRILLIANT IMAGE QUALITY

INTRODUCING THE AccurioLabel 230 FROM KONICA MINOLTA

Label converters and commercial printers face an increasing number of print jobs for small to medium editions, which they are expected to produce in ever-shorter processing times. With conventional flexo and offset printing, it is hardly possible to produce such orders profitably. Meanwhile though, they can be processed easily and efficiently thanks to the flexibility of digital printing.

The AccurioLabel 230 is ideal for professional print providers who want to shift volumes from conventional presses to digital, or are looking for a complementary solution to balance jobs from other digital presses. It is the answer to the reduction of run lengths, shorter delivery times, personalisation and versioning, and to the

production of on-demand print runs. The AccurioLabel 230 offers outstanding productivity, brilliant image quality and surprising ease of use, making it your perfect tool to diversify into new markets and use in conjunction with existing analogue machines.



MARKET TRENDS

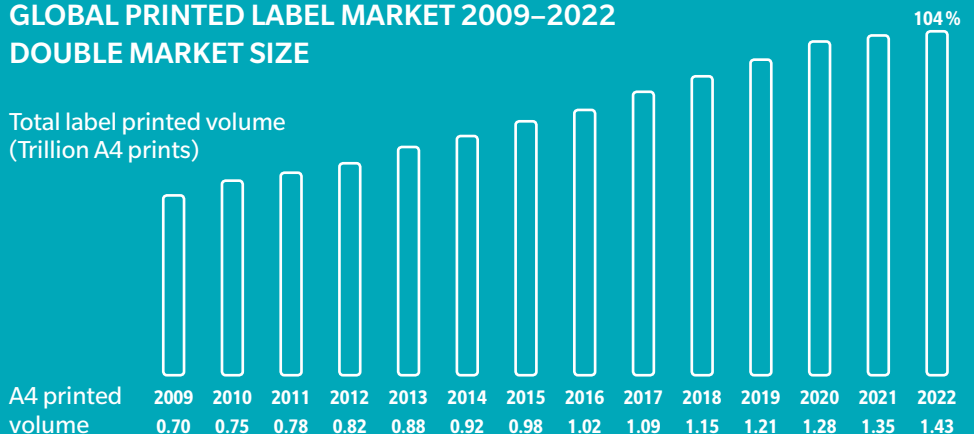
GROWTH MARKET: DIGITAL CONTINUES TO CONQUER THE LABEL PRINTING MARKET

The label printing market is considered one of the market segments that will grow in the future. According to recent surveys, more than 25% of new, narrow-web label presses installed worldwide are digital.

In terms of value, label printing market was \$27.72 billion in 2012 and will go to \$45.22 billion by 2022 with 63% growth.

GLOBAL PRINTED LABEL MARKET 2009–2022 DOUBLE MARKET SIZE

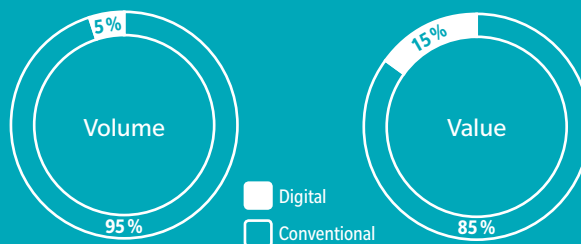
Total label printed volume
(Trillion A4 prints)



Source: The Future of Label Printing to 2022, Smithers Pira

DIGITAL LABEL PRINTING MARKET SHARE

Source: Investing for growth and profitability WP, Label & Labeling



MUCH MORE PROFITABLE THAN CONVENTIONAL PRINTING

The global market for digitally printed labels **grows at more than 15% per year.**

In 2020, **40%** of the worldwide narrow web label press installations will be digital.

50% of label converters have digital machines.

OUTSTANDING QUALITY

Resolution on a Par with Offset

- Excellent resolution of 1,200 dpi x 8 bit produces a high-precision finish

Feeding Speed Detection

- Equipped with a speed detector, AccurioLabel 230 recognises the media feeding speed ensuring highly accurate print registration

Web Cleaning System

- The Web Cleaning System helps to remove any dust or small particles that can affect the print quality

Colour Consistency

- Image density control technology
- Advanced colour management tools

HIGH PRODUCTIVITY

Printing Speed

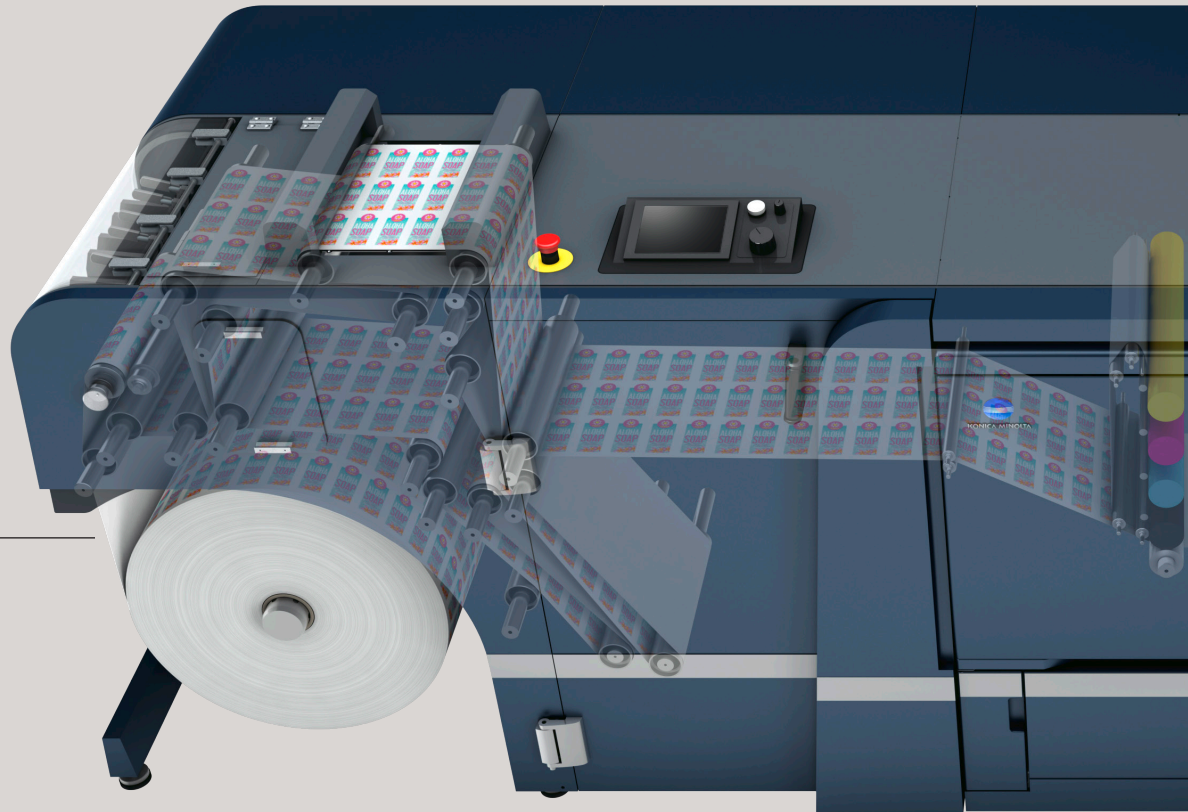
- AccurioLabel 230 prints at a max. speed of 23.4 m/min
- Most tack papers & films [PP, PET, YUPO] can be printed on at max. speed [120 - 160µm thickness]

Warm Up Time

- No waiting time between jobs
- Minimises paper waste and improve profitability

Easy Alignment of Paper Web

- AccurioLabel 230 has web guides on both unwinder and rewinder for optimal and accurate feeding of the media



**YOUR ADVANTAGES WITH
THE AccurioLabel 230**
RETHINK LABEL PRINTING

PRINT JOB VARIETY

Overprinting

- With its Overprinting Kit, AccurioLabel 230 can overprint on preprinted media

Two Different Paper Widths

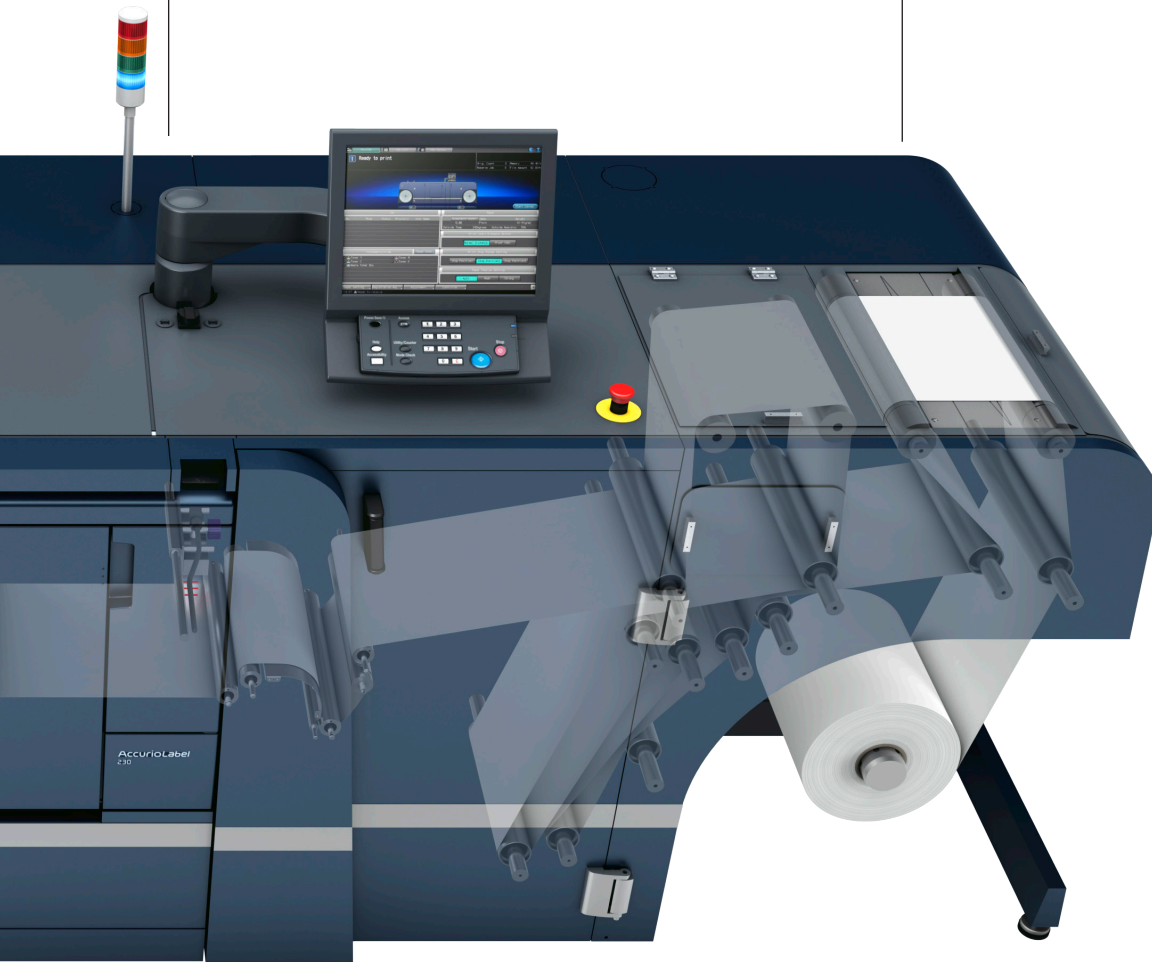
- The AccurioLabel 230 can be adjusted to two different paper widths between 250 and 330 mm by replacing key components

JDF/JMF

- AccurioLabel 230 is JDF/JMF compatible

EASE OF USE

- Maintenance tasks on the AccurioLabel 230 are simple and can be performed in a very short amount of time.
- Tasks that are time-consuming on analogue machines, such as colour adjustments, are quickly and easily performed on this digital press
- Operation is intuitive by following on-screen instructions; no need for extensive user training
- Frees operator time and allows them to perform other tasks



HIGH MEDIA COMPATIBILITY

- No precoating of media necessary
- No special media required

TYPICAL APPLICATIONS

LABEL SUBSTRATES

Glossy or matt adhesive paper, YUPO, PET, PP.
An extended list of supported substrates from the major vendors of self-adhesive media is provided upon purchase of the AccurioLabel 230.



BEVERAGES

Create personalised and unique labels on untreated texture papers



FOOD

For short to medium production of local produce.



COSMETICS

Private label products, ...



HOUSEHOLD

Allows for easy production of different version of the same label.



INDUSTRIAL

For GHS labels, chemical products, identification, ...

AccurioPro Label Impose

RETHINK LABEL PRINTING

AUTOMATED LABEL PRINTING

The AccurioPro Label Impose software provides the perfect solution for optimised media usage, avoiding the possible waste of label substrates. The application gives the operator a simple and intuitive interface to automatically impose and prepare label jobs for printing. In addition, users can also print PDFs as basis for the creation of the required cutting tools or other finishing processes.

AccurioPro Label Impose impresses with its PDF-based workflow and generous feature set, enabling operators to handle many prepress tasks from one central control station. Working seamlessly with the AccurioLabel 230, the software perfectly complements Konica Minolta's label press.

Key benefits

- Automatic creation of label repetitions
- Handling of variable data content
- Adjustable spacing between elements
- Adding standard and custom eye marks
- Gang-up printing of different artwork
- Preparation for die-cutting and finishing tools



AccurioPro
LabelImpose

TECHNICAL SPECIFICATIONS

RETHINK LABEL PRINTING

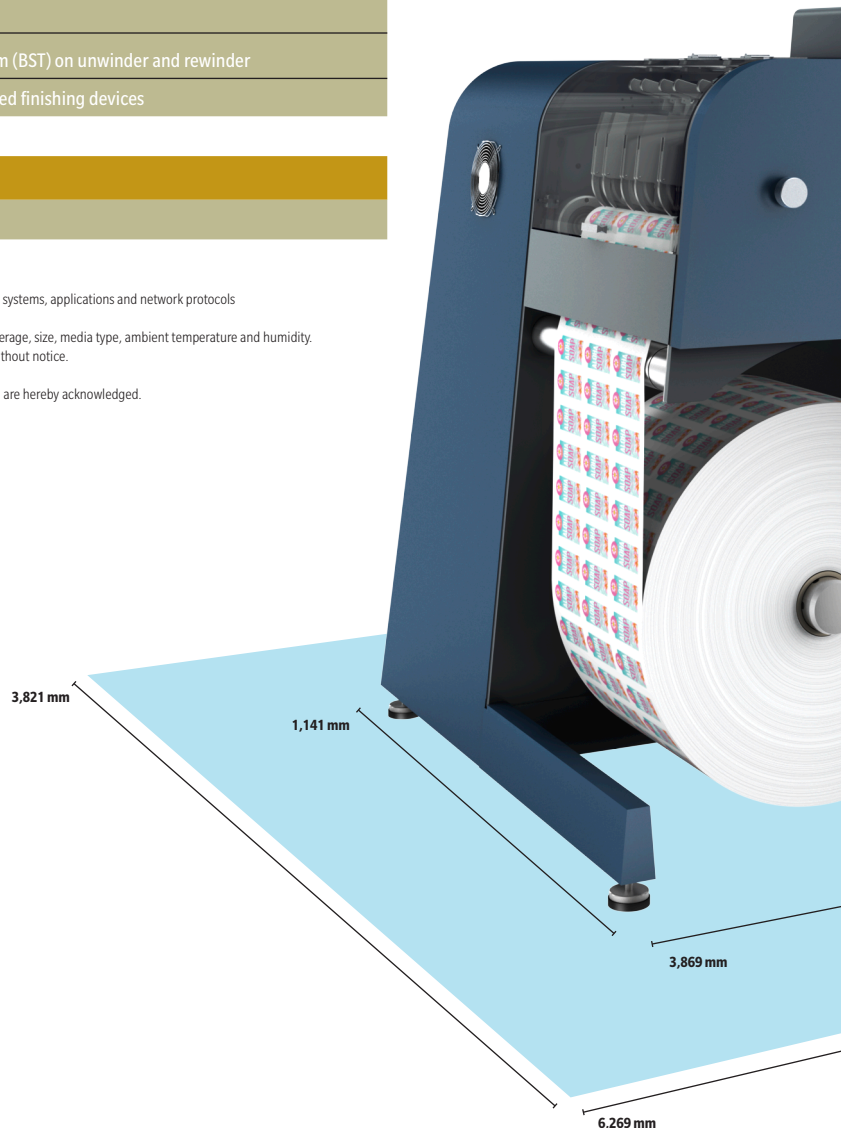
System specifications

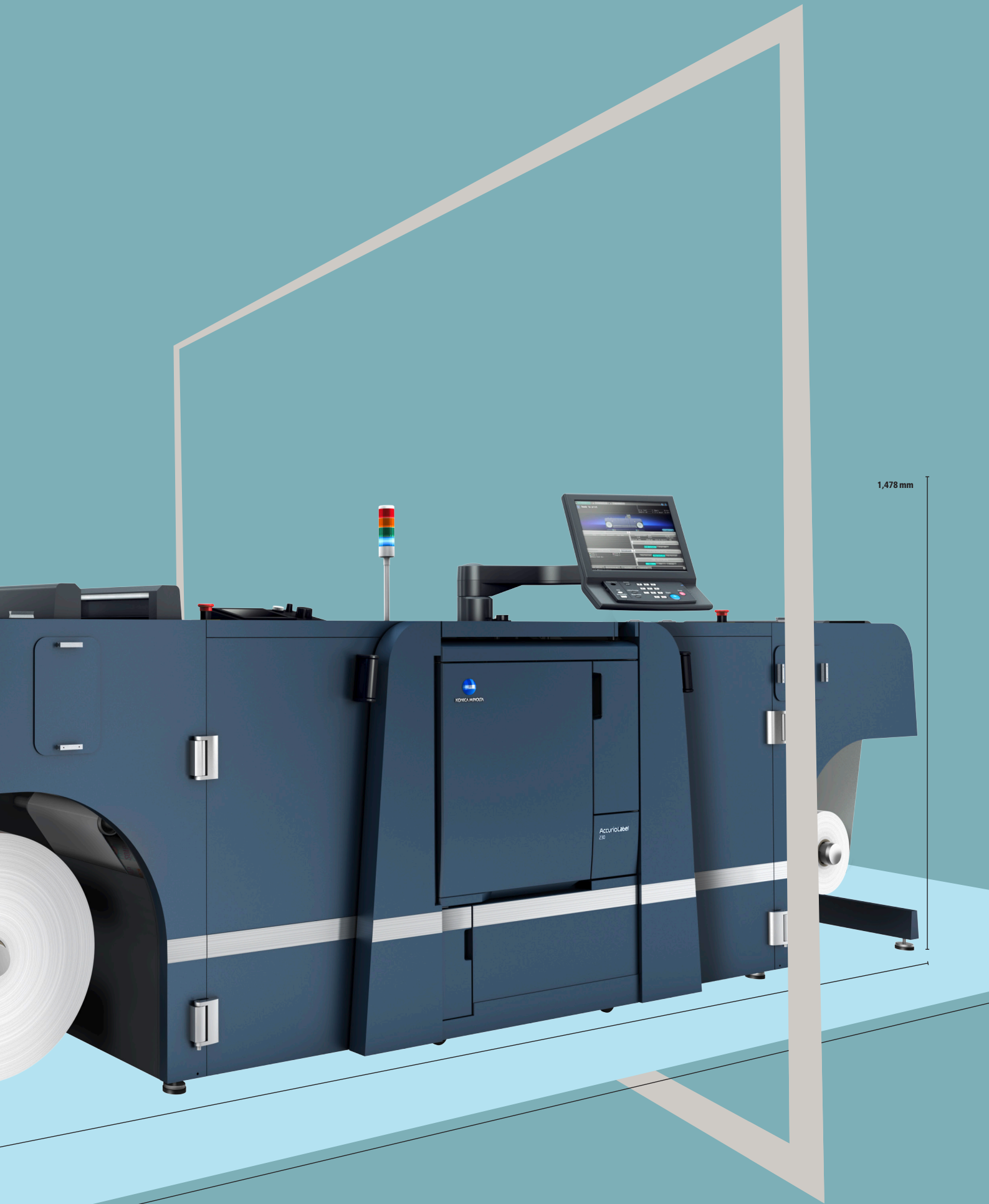
Technology	Dry Toner Electrophotography
Resolution	1,200 x 1,200 dpi x 8 bit 1,200 x 3,600 dpi equivalent
Paper widths	250 mm to 330 mm
Max. printed image size	1,195 x 320 mm
Max. printed image width	320 mm
Grammage / substrate thickness	81 to 256 g/m ²
Possible substrates	Paper, YUPO, PP, PET
Feeding speed (printing speed)	23.4 m/min., 18.9 m/min., 13.5 m/min., 9.45 m/min. Speed depends on the paper type (standard speed: 23.4 m/min)
Unit dimensions (W x D x H)	3,869 x 1,141 x 1,478 mm
Unit weight	942 kg
Web control	Integrated web guide system (BST) on unwinder and rewinder
Converting	Capability to connect selected finishing devices

Controller

Internal Konica Minolta Controller	IC-605B
------------------------------------	---------

- The support and availability of the listed specifications and functionalities varies depending on operating systems, applications and network protocols as well as network and system configurations.
- The actual life of each consumable will vary depending on use and other printing variables including coverage, size, media type, ambient temperature and humidity.
- Specifications are based on the information available at the time of printing and are subject to change without notice.
- Konica Minolta does not warrant that any specifications mentioned will be error-free.
- All brand and product names may be registered trademarks or trademarks of their respective holders and are hereby acknowledged.





1,478 mm

SECOND OPTION WITH BROTECH WINDERS CONFIGURATION SPECIFICATIONS

RETHINK LABEL PRINTING

Configuration Brotech winder (Optional)

Accuriolabel 230 digital label printing machine Accuriolabel 230
Unwind unit, 3" shaft, servo driven on unwind
Automatic Stop on Roll End
Pre-select Slow down
Electronic Web Guiding System and Ultrasonic Web Guide Sensor (E+L)
Servo driven infeed unit
Dancing roller unit (with tension control, tension is adjustable)
Platform for digital press
Dancing roller unit (with tension control, tension is adjustable)
Servo driven outfeed unit
Inspection platform
Brotech touch screen operation interface
Single rewind, 3" shaft, servo driven on rewind
Bi-direction function
Air Compressor
Machine color: Cuttle gray color Munsell value: 5.2PB3.4/1.7 RAL:260 30 10

Brotech



TECHNICAL SPECIFICATIONS

RETHINK LABEL PRINTING

Technical specification Brotech winder (Optional)

Accuriolabel 230 Technical Specifications

Support Web Width	165-330mm
Max. Unwind Diameter	600mm
Max. Rewind Diameter	600mm
Unwind/Rewind shaft	3inch/76mm
Max. Mechanical Speed	60m/min
Normal running speed	23.4m/min
Air Supply	8 Bar
Rating Voltage	3 Phase 380V, 50Hz+N+PE
Support Language	Chinese/English
Machine Weight	1.5T

RETHINK LABEL PRINTING



Technical Specification: AccurioLabel 230

Max.Unwind diameter	800 mm
Max.Rewind diameter	600mm
Max.Web width	330mm
Min.Web width	165mm
Max Print width	320mm
Material thickness range	60-250 μ m
Unwind speed	0-60m/min
Power	220V,22A,50/60Hz. Engine: 1PH 220V,22A,50/60Hz 380V,20A,50/60Hz. The other units: 3PH 380V,20A,50/60Hz
Air	>8bar >8bar
Material	Paper: Non-viscous paper, viscous paper, film: viscous film (synthetic paper, PP, PET), Refer to manual for details. Unwind unit to Engine input: 60-100N
Tension range	Engine: 10N-50N 9paper: 20-50N, film: 10-30N Engine ouput to rewind unit: 60-100N
Environment Requirement	Temperature: 18-23 °C Humidity: 40%-60%RH Air Pressure: 76mmHg
Size:(L*W*H)	5540x3270x1540mm
Floor layout:(L*W*H)	5625x3270x1540mm
Weight	Total: 2980kg Unwind unit:380kg Semi-rotary flexo unit:560kg Tension control unit before Engine: 330kg Platform: 350kg Engine: 297kg Tension control unit after Engine: 510kg Rewind unit: 550kg
Power Current	42A
Power Consumption	12KW

Technical Specification for Semi-rotary flexo unit

Max. Web Width	340mm
Max. Flexo printing Width	330mm
Full rotary Max. Mechanical Speed	120m/min
Semi-rotary Max. Speed	60m/min
Semi-rotary Repeat Length	100-457mm
Register accuracy	±0.2mm
Air Supply	100psi
Rating Voltage	380V 3PH+ N+ PE
Power Current	43A
Power Consumption	17KW

Technical Specification for Full rotary flexo unit which with cold foil unit

Max. Web Width	340mm
Max. Flexo printing Width	330mm
Full rotary Max. Mechanical Speed	120m/min
Rotary Repeat Length	60T-192T
Register accuracy	±0.2mm
Air Supply	100psi
Rating Voltage	380V 3PH+ N+ PE
Power Current	33A
Power Consumption	13.5KW

Technical specification for Flat bed die cutting unit

Max. Web Width	340mm
Max die cutting area	310mm x 320mm
Max. Mechanical Speed	350 Strokes/min
Die Cutting Precision Accuracy	±0.2mm

Air Supply	100psi
Rating Voltage	380V 3PH+ N+ PE
Power Current	25A
Power Consumption	9.5KW



KONICA MINOLTA

10 GOOD REASONS

to change from an analogue workflow to digital label printing with the AccurioLabel 230.



1. PERSONALISE YOUR OUTPUT

Konica Minolta's AccurioLabel 230 lets you print variable images and text, fully integrated into your digital workflow. Imagine the many ways in which personalised label printing can help your business.



2. HANDLE MULTIPLE SKUS

Short runs of different labels are easy and quick to run, with no additional prep-time and make-ready. Short-run printing can be more effective and profitable.



3. SHORTEN YOUR LEAD TIMES

With no prepress setup time, personalised labels can start printing without delay.



4. LOWER YOUR COSTS

Think about it: Less waste, zero plates used, minimal labour requirements – it all adds up to lower running costs and increased profitability.



5. MINIMAL FOOTPRINT

The AccurioLabel 230 is a compact digital label press with just 12' separating the unwinder and the rewinder, allowing it to fit into the tightest of spaces on your production floor.



6. IMPROVE CONSISTENCY

Complete colour management control ensures consistency across the substrate from the beginning to the end of your entire press run.



7. SIMPLIFY YOUR OPERATION

Digital control is far simpler than that of conventional analogue systems – and you can queue jobs right from your touch screen control panel, making reprints faster and more cost-effective.



8. COMPLEMENTARY TO YOUR EXISTING PRESSES

The AccurioLabel 230 perfectly complements your analogue and digital production flow, allowing you to shift short runs from analogue to digital, as well as perform load balancing of digitally produced jobs.



9. QUICK AND EASY EXCHANGE OF MEDIA ROLLS

Substrates can be switched simply by splicing one substrate onto the other. All settings are stored in the print engine controller.



10. GET ON THE INSIDE TRACK OF INNOVATION

Partnering with Konica Minolta leverages the power of our cutting-edge innovations in digital production, backed by 100 years of leadership in optical and print technology.