



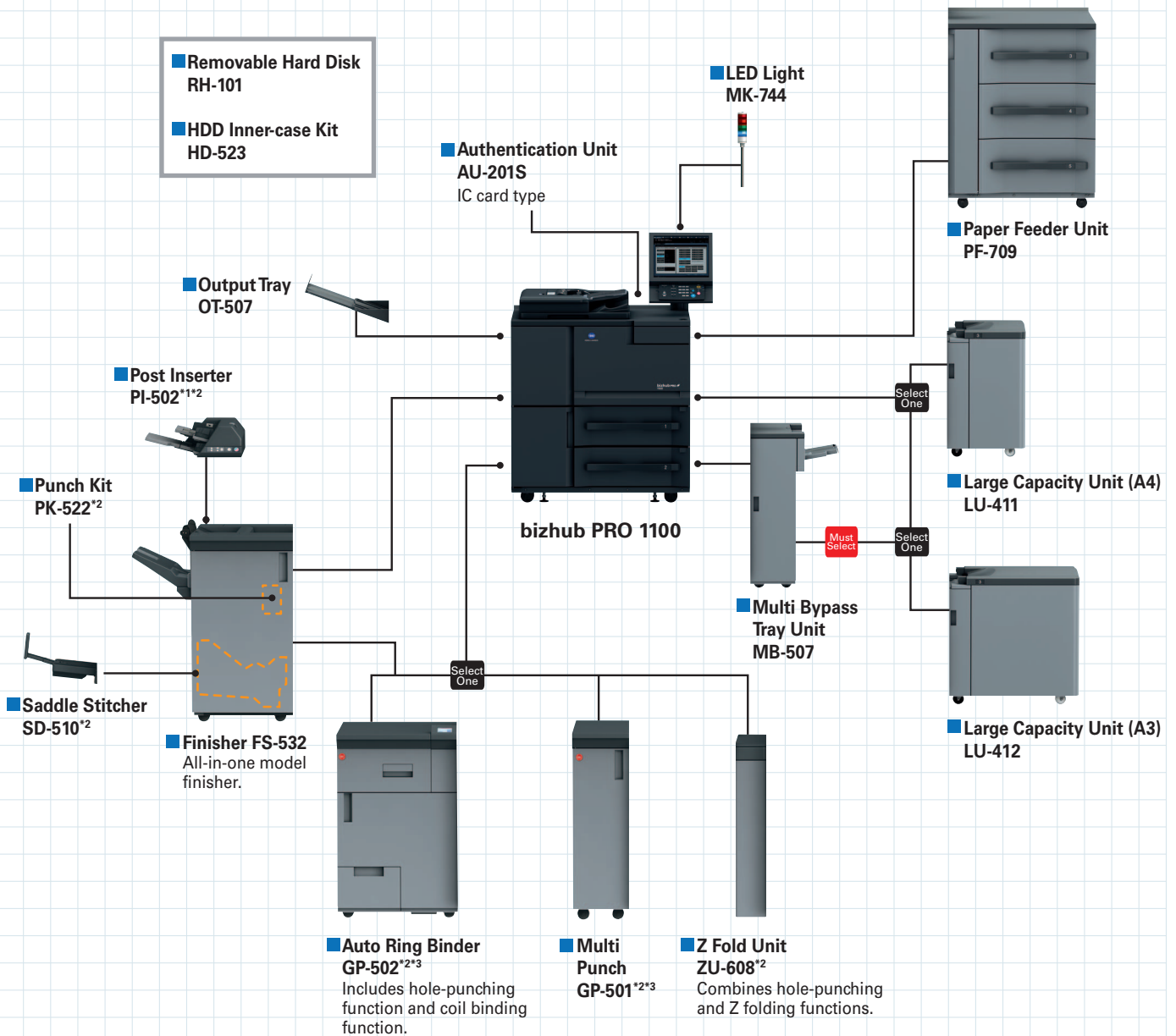
KONICA MINOLTA

# bizhub PRO 1100 Spec Sheet

## System

**Select One** One of the options may be selected (not mandatory).

**Must Select** One of the options must be selected (mandatory).



\*1 Mount Kit MK-732 is required.

\*2 Cannot be used when equipped with finishers other than Finisher FS-532.

\*3 Not available in all areas.

# Specifications

## bizhub PRO 1100 General Specifications

Type	Console	
Resolution	Scan	600 × 600 dpi
	Print	1,200 × 1,200 dpi
Gradation	256	
Original Type	Sheets, Books, Objects	
Max. Original Size	A3 (11" × 17")	
Memory Capacity	DIMM	8 GB
	HDD	1TB
Output Size (S: Short edge feed <input type="checkbox"/> )	SRA3, A3 to B5, A5, B5S, Tab paper, Custom 182 × 139 mm (Using small size guides), to 324 × 463 mm	
Image Loss	Max. 3 mm or less for top edge, Max. 2 mm or less for bottom/right/left edges	
Warm-Up Time	390 sec. or less	
First Copy Out Time*1	3.4 sec. or less	
Copy / Print Speed (A4)	100 ppm	
Copy Magnification	Fixed Same Magnification	1:1 ± 0.5% or less
	Scaling Up	1:1.154/1.224/1.414/2.000
	Scaling Down	1:0.866/0.816/0.707/0.500
	Preset	3 types
	Zoom	25 to 400% (in 0.1% increments)
Paper Capacity (80gsm)	Standard: 1,500 sheets × 2	
Paper Weight	Standard	40 to 300 gsm (Limitations to paper types apply)
	Option	40 to 350 gsm (Only available for middle tray of PF-709)
Multiple Copy	1 to 9,999 sheets	
Auto Duplex (S: Short edge feed <input type="checkbox"/> )	Non-Stack	
	SRA3, A3 to B5, A5, B5S	
Power Requirements	220 to 240 V/15 A	
Max. Power Consumption (Main unit + PF-709 + FS-532)	3.6 kW or less	
Dimensions [W] × [D] × [H]	990 × 910 × 1,160 mm (39" × 35-3/4" × 45-3/4") (Main unit + ADF) 1,211 × 910 × 1,454 mm (47-3/4" × 35-3/4" × 57-1/4") (including operation panel)	
Weight	340 kg (749-1/2 lb) (Main unit)	
Space Requirements [W] × [D]	2,534 × 2,960 mm (103-3/4" × 81-1/4") <Main unit + FS-532 + LU-411>	

\*1 A4 long edge feed full size/using the first tray/scanning from the original glass surface.

## Printer Specifications (Standard)

Type	Embedded	
CPU	Pentium G3420 3.2 GHz	
Memory	2 GB	
HDD	1 TB 3.5 inch SATA	
Print Speed	100 ppm	
Print Resolution	1,200 × 1,200dpi, 600 × 600dpi	
PDL	PCL5e/6, PostScript3 (3020), PDF Ver1.7, TIFF Ver. 6 Emulation, PPML (Ver.2.2)	
Protocol	TCP/IP (LPR, RAW socket), IPX/SPX (NDS, Bindery), NetBEUI, IPP, AppleTalk, WSD, Bonjour, SMB	
Support OS	PCL	Windows Vista*1 / 7*1 / 8.1*1 / 10*1 Windows Server 2008*1 / 2008 R2 / 2012 / 2012 R2 /
	PS	Windows Vista*1 / 7*1 / 8.1*1 / 10*1 Windows Server 2008*1 / 2008 R2 / 2012 / 2012 R2 / Mac OS X (10.6 / 10.7 / 10.8 / 10.9 / 10.10 / 10.11)
Fonts	PCL	80 fonts
	PS	136 fonts
Interface	10Base-T/100Base-TX/1000Base-T, USB3.0 host, USB2.0 device	

\*1 Supports the 32-bit (x86) or 64-bit (x64) environment.

## Scanning Specifications (Standard)

Type	Full-Colour Scanner	
Scanning Speed (Colour/B&W) (A0 dpi, A4)	Simplex	90 opm
	Duplex	180 opm
Scanning Size	297 × 431.8 mm	
Scanning Resolution	600 dpi, 400 dpi, 300 dpi, 200 dpi	
Protocol	TCP/IP (FTP, SMB, SMTP, WebDAV) (IPv4/IPv6)	
Support OS	Windows Vista*1 / 7*1 / 8.1*1 / 10*1	
Interface	Ethernet 10Base-T/100Base-TX/1000Base-T	
Output Format	PDF, TIFF, Encrypted PDF, XPS, Compact PDF, JPEG	

\*1 Supports the 32-bit (x86) or 64-bit (x64) environment.

## Dual Scan Document Feeder (Standard)

Type	Single pass simultaneous duplex system	
Original Size	Max. A3 (Custom 297 × 431.8mm)	
Paper Weight	Simplex	35 to 210 gsm
	Duplex	50 to 210 gsm
Paper Capacity (80 gsm)	Max. 150 sheets	
Dimensions [W] × [D] × [H]	618 × 575 × 140 mm (24-1/4" × 22-3/4" × 5-1/2")	
Weight	Approx. 18 kg (39-3/4 lb)	

## Options

### Output Tray OT-507

Paper Weight	62 to 300 gsm
Paper Size	95 × 139 to 324 × 463 mm
Dimensions*1 [W] × [D] × [H]	470 × 229 × 456 mm (18-1/2" × 9-1/4" × 18")
Weight	Approx. 2,121 g (4-3/4 lb) Tray only 778 g (1-3/4 lb)

\*1 With output tray closed.

### Multi Bypass Tray Unit MB-507

Paper Weight	40 to 300 gsm (Subject to paper class limits.)
Paper Size	100×148 to 324×483 mm
Paper Capacity (80gsm)	250 sheets
Dimensions*1 [W] × [D] × [H]	296 × 636 × 995 mm (11-3/4" × 25-1/2" × 39-1/4")
Weight	34 kg (75 lb)

\*1 With output tray closed.

### Paper Feeder Unit PF-709

Paper Size (S: Short edge feed <input type="checkbox"/> )	SRA3, A3, B4, A4, SRA4S, A4S, B5, B5S, A5, 12" × 18", 11" × 17", 8-1/2" × 14", 8-1/2" × 11", 8-1/2" × 11"S, 9" × 11", Foolscap (8-1/2" × 13", 8-1/4"×13", 8-1/8" × 13-1/4", 8" × 13") Wide Paper A3W, B4W, A4W, A4SW, B5W, B5SW, A5W 12" × 18"W, 11" × 17"W, 8-1/2" × 11"W, 5-1/2" × 8-1/2"W Tab Paper B5ST, A4T, A4ST, B4T, A3T, 8-1/2" × 11"T, 8-1/2" × 11"ST, 11" × 17"T, 5-1/2" × 8-1/2"T Custom 95×139 (Using small size guides) to 324 × 463 mm
Paper Type	Plain, Fine, Book/News, Embossed (Rough paper), Tab Paper
Paper Weight	40 to 350 gsm (40 to 350 gsm paper only available for middle tray.)
Paper Capacity (80gsm)	2,000 sheets × 3 tray
Power Source	Supplied from the main unit
Dimensions [W] × [D] × [H]	809 × 780 × 1,038 mm (31-3/4" × 30-3/4" × 41")
Weight	Approx. 150 kg (330-3/4 lb)

### Large Capacity Unit LU-411

Paper Size	A4, B5, 8-1/2" × 11", 9" × 11", 8K Wide Paper A4W, B5W, 8-1/2" × 11"W Tab Paper B5T, A4T, 8-1/2" × 11"T Custom 250 × 176 to 314 × 229 mm
Paper Type	Plain, Fine, Book/News, Embossed, Tab Paper
Paper Weight	40 to 300 gsm
Paper Capacity (80 gsm)	4,500 sheets
Power Source	Supplied from the main unit
Dimensions [W] × [D] × [H]	436 × 639 × 709mm (17-1/4" × 25-1/4" × 28")
Weight	Approx. 30 kg (66-1/4 lb)

### Large Capacity Unit LU-412

Paper Size (S: Short edge feed <input type="checkbox"/> )	A3, B4, A4, A4S, SRA4S 11" × 17", 8-1/2" × 14", 8-1/2" × 11", 8-1/2" × 11"S, 9" × 11", Foolscap (8-1/2" × 13", 8-1/4" × 13", 8-1/8" × 13-1/4", 8" × 13") Wide Paper A3W, B4W, A4W, A4SW 11" × 17"W, 8-1/2" × 11"W, 8-1/2" × 11"SW Tab Paper A4T, A4ST, B4T, A3T, 8-1/2" × 11"T, 8-1/2" × 11"ST, 11" × 17"T Custom 203 × 195 to 324 × 483 mm
Paper Type	Plain, Fine, Book/News, Embossed, Tab Paper
Paper Weight	40 to 300 gsm
Paper Capacity (80 gsm)	4,000 sheets
Power Source	Supplied from the main unit
Dimensions [W] × [D] × [H]	700 × 639 × 715 mm (27-1/2" × 25-1/4" × 28-1/4")
Weight	Approx. 43 kg (94-3/4 lb)

# Specifications



## ■ Finisher FS-532

Paper Weight	Staple mode: 50 to 300 gsm Straight/Shift mode: 40 to 350 gsm	
Paper Size	Staple mode	203×139 to 331×488 mm
	Straight/Shift mode	95×133 (Using small size guides) to 331×488 mm
	Sub tray mode	95×133 (Using small size guides) to 331×488 mm
Paper Capacity (80 gsm)	Max. 4,500 sheets (Main + Sub tray)	
Stapling mode types	Corner stapling: horizontal, vertical 2-point stapling: centre	
Power Source	DC24V ±10%	
Dimensions [W] × [D] × [H]	544 × 723 × 1,070mm (21-1/2" × 28-1/2" × 42-1/4")	
Weight	74 kg (163-1/4 lb)	



## ■ Post Inserter PI-502 \*Optional Mount Kit MK-732 is required.

Paper Type	Plain, Specialty paper (50 to 300 gsm)	
Paper Size	Upper tray	A4, A4S, B5, B5S, A5, Letter (8-1/2" × 11")S
	Lower tray	A3, B4, A4, A4S, B5, B5S, A5, SRA4S, 12" × 18", Ledger (11" × 17"), Legal (8-1/2" × 14"), Letter (8-1/2" × 11"), Letter (8-1/2" × 11")S
Paper Capacity (80 gsm)	Max. 200 sheets	
Power Source	Supplied from Finisher FS-532	
Dimensions [W] × [D] × [H]	540 × 620 × 220mm (21-1/4" × 24-1/2" × 8-3/4")	
Weight	Approx. 11.7 kg (25-3/4 lb)	



## ■ Punch Kit PK-522

Applicable	Finisher FS-532	
Punch Holes	2 holes / 3 holes / 4 holes	
Paper Weight	60 to 300 gsm	
Paper Size (S: Short edge feed <input type="checkbox"/> )	2 holes	A3, B4, A4, A4S, B5, B5S, A5, A5S, Ledger (11" × 17"), Legal (8-1/2" × 14"), Letter (8-1/2" × 11"), Letter (8-1/2" × 11")S, 9x11
	3 holes / 4 holes	A3, B4, A4, B5, Ledger (11" × 17"), Letter (8-1/2" × 11"), 9x11
Power Source	Supplied from the main unit	
Dimensions [W] × [D] × [H]	156 × 592 × 181 mm (6-1/4" × 23-1/4" × 7-1/4")	
Weight	4.5kg (10 lb)	



## ■ Saddle Stitcher SD-510

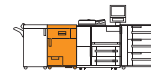
Paper Type*1	Plain, Specialty paper (50 to 216 gsm)	
Paper Size (S: Short edge feed <input type="checkbox"/> )	Saddle stitch	A3, B4, A4S (50 to 216 gsm), 12" × 18", Ledger (11" × 17"), Legal (8-1/2" × 14"), Letter (8-1/2" × 11")S
	Three fold-in	A4S (50 to 105 gsm), A4S, Letter (8-1/2" × 11")S
Fold mode tray capacity	Saddle stitch	2 to 5 sheets: 35 sets, 6 to 10 sheets: 25 sets, 11 to 20 sheets: 15 sets
	Centre-Fold	1 to 5 sheets: 35 sets
Sheets Saddle stitch	Three fold-in	1-sheet fold: 50 sets, 2-sheet fold: 40 sets, 3-sheet fold: 30 sets
	Max.	25 sheets
Sheets Folded	Centre-Fold	Max. 5 sheets
	Three fold-in	Max. 3 sheets
Power Source	Supplied from the main unit	
Dimensions [W] × [D] × [H]	281 × 596 × 530 mm (11-3/4" × 23-1/2" × 21")	
Weight	Approx. 26.4 kg (58-1/4 lb)	

\*1 Usable paper types will vary according to function and paper exit destination.



## ■ Z Fold Unit ZU-608

Punch Holes	2 holes / 3 holes / 4 holes	
Paper Weight	Punch	60 to 91 gsm
	Z Fold	60 to 91 gsm
Punch Paper Size	2-hole Punch	A3S, B4S, A4, A4S, B5, B5S, A5, A5S, B4, B5, B5R, SRA4S, Ledger (11" × 17")S, Legal (8.5" × 14")S, Letter (8.5" × 11")S, Letter (8.5" × 11")S
	3 holes / 4 holes	A3S, B4S, A4, Ledger (11" × 17")S, Letter (8.5" × 11")S
	Z Fold	A3S, B4S
Power Source	AC100 to 240 V (1.2 A) (Automatically switched)	
Dimensions [W] × [D] × [H]	169 × 660 × 930 mm (6-3/4" × 26" × 36-3/4")	
Weight	Approx. 38 kg (83-3/4 lb)	



## ■ Auto Ring Binder GP-502

Paper Weight	Bypass Mode	40 to 350 gsm
	Punch Mode	75 to 120 gsm (163 to 216 gsm for cover sheets, 75 to 120 gsm for insert sheets)
Paper Size	Bypass Mode	95 × 133 to 331 × 488 mm
	Punch Mode	A4
Power Source	DC24V/2.5A or less	
Dimensions [W] × [D] × [H]	655 × 775 × 1,020 mm (25-3/4" × 30-1/2" × 40-1/4")	
Weight	183 kg (403-1/2 lb)	

\*Not available in all areas

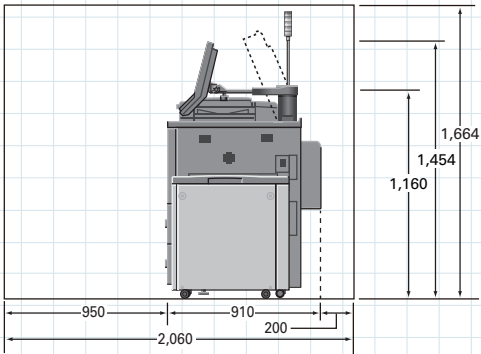


## ■ Multi Punch GP-501

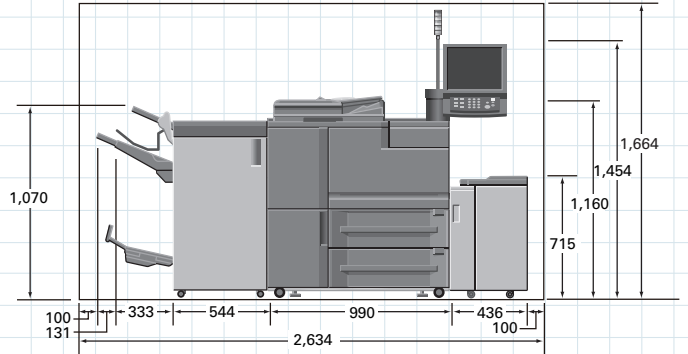
Paper Weight	Bypass Mode	64 to 350 gsm
	Punch Mode	75 to 216 gsm (1Plain paper)
Paper Size	Bypass Mode	95 × 139 to 330 × 488 mm
	Punch Mode	297 × 210 mm
Power Source	230 V, 50 Hz	
Dimensions [W] × [D] × [H]	305 × 775 × 1,020 mm (12-1/4" × 30-1/2" × 40-1/4")	
Weight	Approx. 80 kg (176-1/4 lb)	

\*Not available in all areas

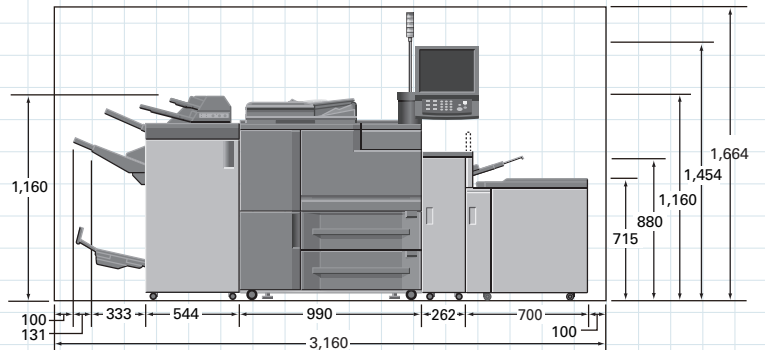




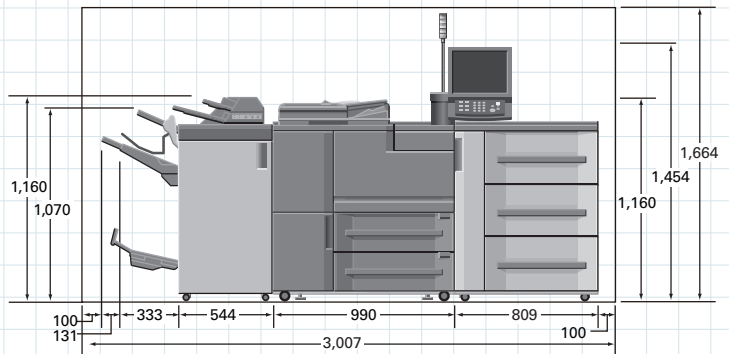
Side View  
bizhub PRO 1100+MK-744+LU-412



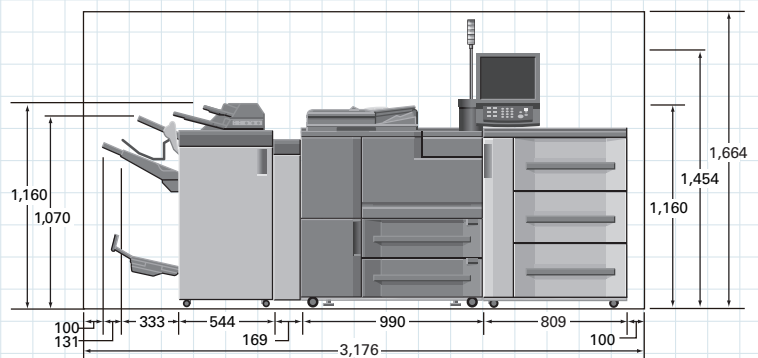
Front View  
bizhub PRO 1100+FS-532+SD-510+MK-744+LU-411



Front View  
bizhub PRO 1100+FS-532+PI-502+SD-510+MK-744+MB-507+LU-412



Front View  
bizhub PRO 1100+FS-532+PI-502+SD-510+MK-744+PF-709



Front View  
bizhub PRO 1100+FS-532+PI-502+SD-510+ZU-608+MK-744+PF-709