



KONICA MINOLTA

AccurioPress
C7100/C7090

MAKE A POWERFUL IMPRESSION

RETHINK AGILITY



Giving Shape to Ideas

DISCOVER AGILITY THAT CREATES OPPORTUNITY

More profitable business through a press that works smarter not harder – this was key in the development of AccurioPress C7100 and AccurioPress C7090. With a focus on optimizing performance, offering new and advanced print products, and growing the entire business. With the AccurioPress C7100 series, you serve more customers and complete more jobs with innovative technologies that power your success.

ADVANCED CAPABILITIES

With auto-duplex banners up to 900mm and the flexibility to handle embossed and textured media, its handling so simple that one operator can run even the most complex projects. So, why not say yes right now to more opportunities that will grow your business!

FLAWLESS QUALITY

Our latest Simitri V toner is eco-friendly and formulated for performance. Fast melting, energy efficient and low maintenance, it reproduces superb quality on a wider range of media up to 400 g/m². Combined with an output resolution of 3,600 dpi equivalent x 2,400 dpi, you will get outstanding results even from the fastest, longest print runs.

EXCEPTIONAL DURABILITY

Reliability drives profitability. Among the new technologies built into the engine are a more durable lubricated drum, double corona wires with automatic cleaning, an optimized paper transport solution, and a double swing registration system for improved paper compatibility and feeding accuracy.

ENHANCED FINISHING

The optional in-line TU-510 4-edge trimming unit cuts, creases and perforates to produce stunning full-bleed trimmed book jackets, imposed cards, business cards, coupons and more. Removing the need for off-line finishing means fewer operator touchpoints for faster and more efficient print runs.

INTELLIGENT AUTOMATION

By instantly detecting the precise stock you're using, the optional Intelligent Media Sensor IM-101 significantly reduces production time. At the same time, the optional Intelligent Quality Optimiser IQ-501 ensures perfectly consistent colour quality and front-to-back registration on every print in real time. And as there's no recalibrations or inspections mid-run, you'll benefit from improved productivity as well.

10 GOOD REASONS FOR AccurioPress C7100/C7090



1. BUSINESS EXPANSION

Compatible with thin to thick media and superior banner printing capabilities



2. INTELLIGENT AUTOMATION

Minimize preparation time with easy and quick setup routines, e.g. for media, colours, registration



3. AUTOMATED FINISHING

Many unique inline finishing options to create ready-to-ship booklets, perfect bound books, ring binding, business cards or full bleed banners and many more



4. FAST TURN AROUND

Same high engine performance on all kinds of media combined with closed loop quality control and inspection technology



5. NEW PRINT PRODUCTS

Extend your offerings with textured media, envelope and long sheet duplex printing



6. HIGHEST RELIABILITY

Durable design and accurate registration for quality products with minimum waste



7. SUPERB IMAGE QUALITY

Simitri V, high print resolution and Konica Minolta's very own imaging technology guarantee happy customers



8. WORRY-FREE OPERATION

Real-time quality control for consistent and faultless print products



9. INCREASED UPTIME

Long-lasting consumables, high paper input capacity and dependable productivity secure uninterrupted production



10. EASE OF USE

Even novice operators will get very good and consistent results at the tip of a finger.

YOUR ADVANTAGES WITH THE AccurioPress C7100/C7090

RETHINK PRODUCTION PRINTING

READY-MADE PRINT PRODUCTS

- 50-sheet booklet making with front trimming and optional creasing, slitting and spine corner forming
- Perfect binding for books of up to 30 mm
- 100-sheet stapling with cutting mechanism
- Automated inline business card and postcard cutting
- Full bleed banners, A3 and A4 posters

DURABLE PERFORMANCE

AccurioPress C7100

- Duty Cycle of up to 1.8 million prints
- Up to 100 A4 colour pages per minute
- Up to 53 SRA3 colour pages per minute

AccurioPress C7090

- Duty Cycle of up to 1.62 million prints
- Up to 90 A4 colour pages per minute
- Up to 48 SRA3 colour pages per minute



GEARED-UP FINISHING

- 2- & 4-hole punching
- 6 different types of folding
- Large-capacity stacking
- 2 Perforations in feed direction, 5 Perforations in Cross feed direction
- Up to 5 Creases downwards or upwards

SIMPLY EFFICIENT

- Automated engine linearisation
- Automated duplex registration
- Automated profiling
- Real-time adjustments
- Purge function

HIGHEST RELIABILITY

- Long-life platform, long-lasting parts and consumables
- Accurate front to back registration
- For prints with maximum efficiency
- For lucrative short-run printing

HIGH-END PRINT CONTROL

- Flexible choice of controller technology: EFI®, CREO® or proprietary Konica Minolta controller
- Integration into hybrid workflows

EASE OF USE

- Simple paper catalogue settings
- Auto Inspection Technology

PERFECT IMAGE QUALITY

- S.E.A.D. X
3,600 x 2,400 dpi x 8 bit resolution
- Simitri V toner technology
- Image density control technology

SOPHISTICATED MEDIA HANDLING

- Automatic media recognition
- Air-suction feeding technology
- Up to 15,150 sheets paper input capacity
- Up to 11 paper input trays
- Up to 2,300 sheets paper input for long sheets (up to 900 mm)

COMPREHENSIVE MEDIA PROCESSING

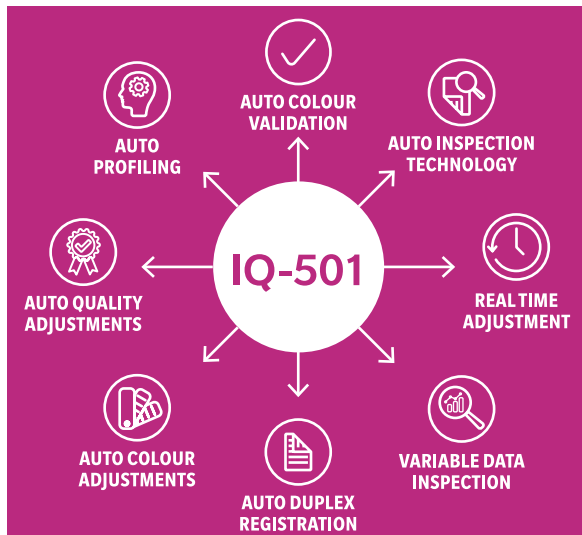
- Up to 400 g/m² paper weight in simplex and duplex printing
- Long sheet size of up to 1,300 mm (duplex up to 900 mm)
- Reliable thin paper feeding through air-blow fusing separation
- Envelope printing
- Embossed paper support
- Optional inter-cooler curl eliminator



INNOVATE PRINT RETHINK TECHNOLOGY

Intelligent Quality Optimiser IQ-501

The Intelligent Quality Optimiser IQ-501 takes colour consistency and registration accuracy to the next level. With highly automated image registration and colour control, a closed-loop system that constantly monitors and adjusts printed output, and automated colour calibration and profiling, IQ-501 delivers streamlined operator time, reduced print waste, and industry-leading productivity!



Simitri V

Simitri® V Toner

Konica Minolta's innovative Toner technology Simitri® V gives superb print quality and an offset matte finish. Furthermore it supports the high productivity of AccurioPress C7100 series and it requires a lower fusing temperature which reduces the energy consumption of the system and the impact of the printing process on the paper. Simitri V was designed to easily follow the surface of the paper or substrate to guarantee best possible print quality on embossed, structured or recycled materials.

S.E.A.D. X Image Processing

Konica Minolta's own advanced colour processing technology of the fifth generation is called S.E.A.D. X, which stands for "Screen-Enhancing Active Digital Process", and combines an array of technical innovations to guarantee truly exceptional colour reproduction at top speed.

STREAMLINE YOUR PRODUCTION RETHINK YOUR WORKFLOW

Evolving from our expertise in precision technologies and more than 80 years of experience in the printing and imaging industries, AccurioPro reflects our commitment to developing market-shaping technology with functionality that enables your business to grow. AccurioPro, Konica Minolta's suite of digital solutions for professional printing, is one of the industry's most versatile and powerful tools to optimise print production operations and workflows.

For all printing companies looking to integrate their printing as well as businesses that use digital printing to produce their own in-house publications and

promotional materials, AccurioPro boosts speed and efficiency, expands capabilities and services, and reduces the need for operational manpower – all of which will help improve your profitability!

The comprehensive suite of features that AccurioPro offers includes centralised management, software for automated workflow processing, colour management, seamless integration of different printing technologies and full connectivity of all Konica Minolta printing systems used from input to output.

Make a powerful impression. Rethink agility

Options for printer body

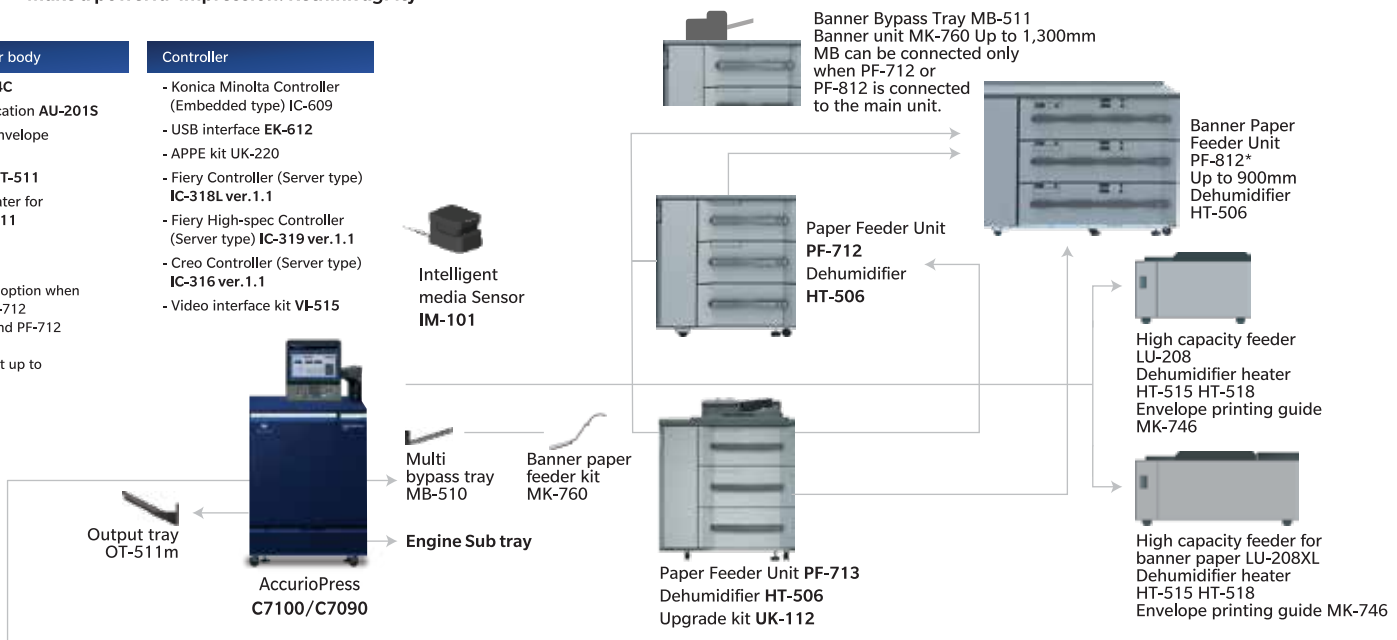
- Pat-light MK-744C
- IC card authentication AU-201S
- Fusing unit for envelope printing EF-108
- Working table WT-511
- Dehumidifier heater for printer tray HT-511

***Feed Adjuster FA-505**

This is a necessary option when connecting two PF-712 or more units behind PF-712 or PF-713. PF-712 can connect up to three of them.

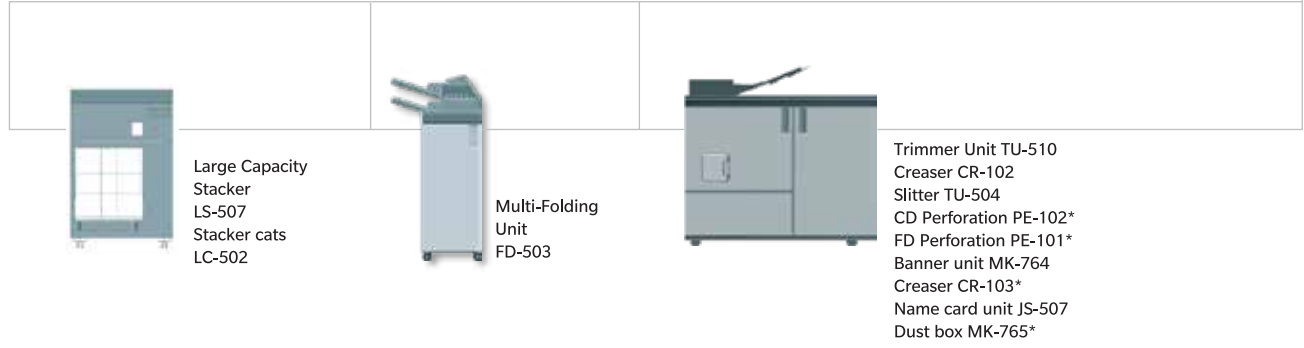
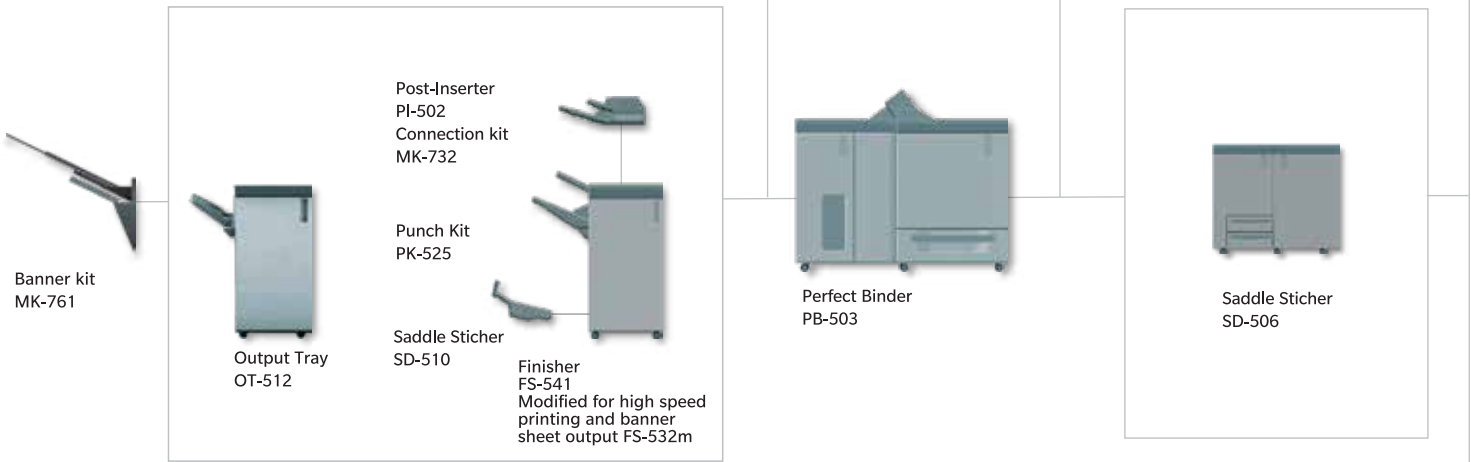
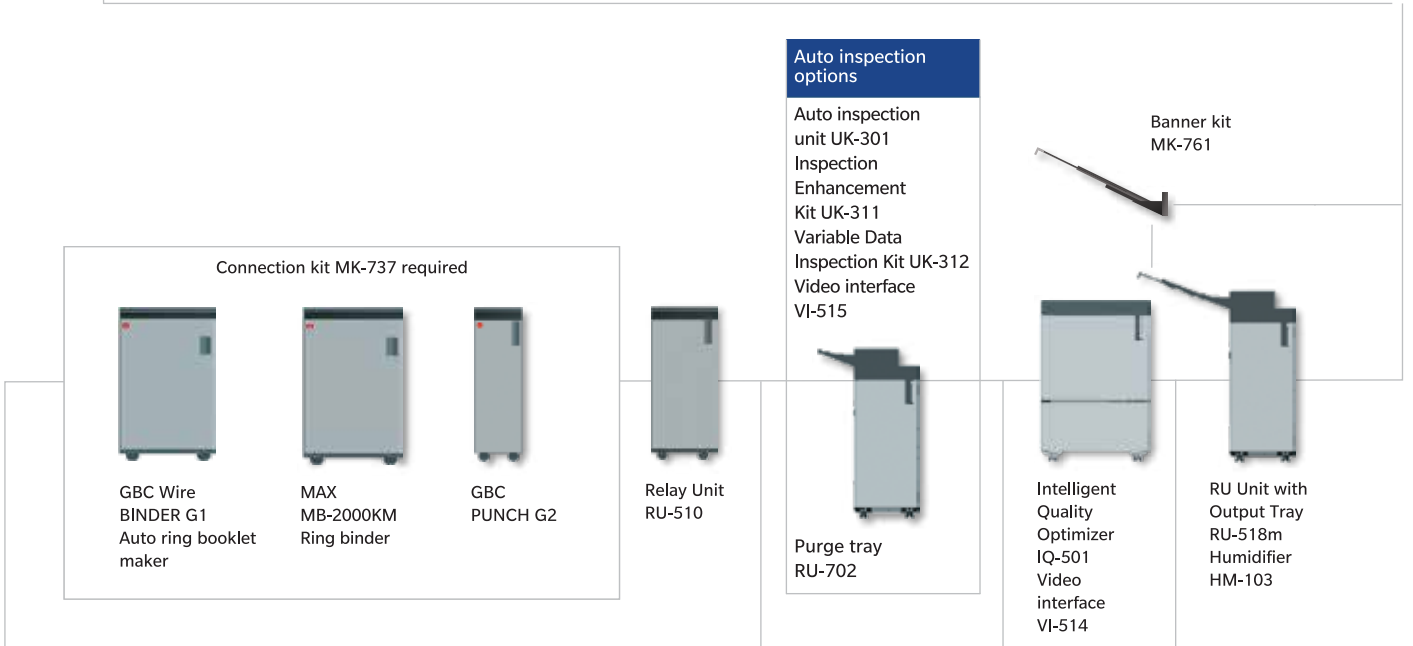
Controller

- Konica Minolta Controller (Embedded type) IC-609
- USB interface EK-612
- APPE kit UK-220
- Fiery Controller (Server type) IC-318L ver.1.1
- Fiery High-spec Controller (Server type) IC-319 ver.1.1
- Creo Controller (Server type) IC-316 ver.1.1
- Video interface kit VI-515



Auto inspection options

- Auto inspection unit UK-301
- Inspection Enhancement Kit UK-311
- Variable Data Inspection Kit UK-312
- Video interface VI-515



TECHNICAL SPECIFICATIONS

RETHINK PRODUCTION PRINTING

SYSTEM SPECIFICATIONS	AccurioPress C7100/C7090
Resolution	2,400 x 3,600 equiv. dpi x 8 bit
Paper weight	52–400 g/m ²
Duplex unit	Non-stack type; 52–400 g/m ²
Paper sizes	330.2 x 487.7 mm 330.2 x 900 mm (max. duplex) 330.2 x 1,300 mm (max. simplex)
Paper capacity	15,140 sh *When 3 paper feeders connected in series (PF-713+PF-712x2 or PF-712x3) and bypass tray connected
Engine sub tray	1000 Sheets Capacity (256 g/m ²)
Paper format	Min: 139.7x182 mm Max: 330.2x487.7mm
Max. original size	A3
Main unit dimensions (W x D x H)	800 x 1,138 x 1,478 mm
Main unit weight	335 kg

PRODUCTIVITY

	AccurioPress C7100	AccurioPress C7090
A4 colour - max. per minute	100 ppm	90 ppm
A4 mono - max. per minute	110 ppm	110 ppm
SRA3 colour - max. per minute	53 ppm	48 ppm
SRA3 mono - max. per minute	58 ppm	58 ppm
A4 colour - max. per hour	5,613 pph	5,047 pph
A4 mono - max. per hour	6,103 pph	6,103 pph

VOLUME

	AccurioPress C7100	AccurioPress C7090
Average monthly print-volume	1,13,300 A4 images	69,300 A4 images

Intelligent Quality Optimiser IQ-501

	AccurioPress C7100/C7090
Mountable options	Paper Inspection Unit UK-301, Relay Conveyance Unit RU-702
Max. detection area	100 × 139 to 331 × 1,300 mm *Conforms to functional specification
Paper weight	52 to 450 gsm
Dimensions (W × D × H)	663 × 696 × 1,020 mm
Weight	Approx. 184 kg

Hybrid Decurler RU-518m

Function	Equipped with paper cooler and decurler, relay transport and ejection
Mountable option	Humidifier HM-103
Paper size *1	SRA3, A3, B4, SRA4, A4, B5, A5, B6S, A6S, postcard, Non-standard size (max. 331 × 1,300 mm, min. 100 × 139 mm)
Paper weight	52 to 450 gsm
Max. stack capacity *1	Up to 762 mm: 100 sh (80 gsm), 762.1 mm or longer: 1 sh
Dimensions (W × D × H)	410 × 720 × 1,135 mm
Weight	Approx. 95.4 kg

KONICA MINOLTA IMAGE CONTROLLER IC-609

Architecture	Internal
OS	Linux
OS supported, PS (Internal)	Windows 8.1 ^{*2} /10 ^{*2} (Optional)
CPU	Intel Core i5 6500
Clock speed	3.2 GHz
RAM std	16 GB
HDD	2 TB (2 x 1TB)
Page-description language	Adobe PostScript 3; APPE (with UK-220); TIFF v6; PDF 1.7, X-1a, X-3, X-4, VT2; PPML 2.2; PCL 5c; XL; PCL XL; JDF/JMF
Applicable OS	Windows 8.1/10; Windows Server 2012/R2/2016/2019; Mac OS 10.12–15, Mac OS 11

FIERY IMAGE CONTROLLER IC-319

Architecture	External
OS	Windows 10
CPU	Intel® Xeon 5118
Clock speed	2.3 GHz
RAM std	32 GB
HDD	4.5 TB
Page-description language	Adobe PostScript 3; PDF v1.7; APPE v5; PDF/VT-1/-2 v3; PDF/X1a,3,4; PPML v3.0; PCL; Creo VPS
Applicable OS	Windows 8.1/10; Windows Server 2012/R2/2016/2019; Mac OS 10.14-10.15, Mac OS 11

FIERY IMAGE CONTROLLER IC-318L

Architecture	External
OS	Windows 10
CPU	Intel i7-6700
Clock speed	3.4 GHz
RAM std	16 GB
HDD	1 TB
Page-description language	Adobe PostScript 3; PDF v1.7; APPE v5; PDF/VT-1/-2 v3; PDF/X1a,3,4; PPML v3.0; PCL; Creo VPS
Applicable OS	Windows 8.1/10; Windows Server 2012/R2/2016/2019; Mac OS 10.14-10.15, Mac OS 11

CREO IMAGE CONTROLLER IC-316

Architecture	External
OS	Windows 10
CPU	Intel i7-8700
Clock speed	3.2 GHz
RAM std	20 GB
HDD	8 TB
Page-description language	Adobe PostScript 3; PDF v1.7; APPE v4.9; PDF/VT-1/-2; PDF/X1a,3,4; PPML v2.2; Creo VPS; AFP; IPDS; JPEG; TIFF (v6, 1bit)
Applicable OS	Windows 8.1/10; Windows Server 2012/R2/2016/2019; Mac OS 10.12–15

– All specifications refer to A4-size paper of 80 g/m² quality.

– The support and availability of the listed specifications and functionalities varies depending on operating systems, applications and network protocols as well as network and system configurations.

– Some of the product illustrations contain optional accessories.

– Specifications and accessories are based on the information available at the time of printing and are subject to change without notice.

– Konica Minolta does not warrant that any prices or specifications mentioned will be error-free.

– All brand and product names may be registered trademarks or trademarks of their respective holders and are hereby acknowledged.

– *1: Banner paper printable when MK-761 is installed

– *2: 32-bit (x86) / 64-bit (x64) environment supported

Konica Minolta Business Solutions India Pvt. Ltd.

Building No: 8, Tower-C, 10th Floor, DLF Cyber City, Phase-2, Gurugram, Haryana-122002, India | Board No. +91-124-6652000

URL: www.konicaminolta.in | marcom@bin.konicaminolta.in

Connect with us : [in](#) [tw](#) [fb](#) [ig](#)